

Description

The FIREKILL™ Low Pressure Water mist nozzle OH-VSO is an automatic, pendent low-pressure water mist nozzle ideal for residential areas, offices, data processing areas, meeting rooms, hotels, museums, restaurant seating areas, institutions, schools, and such applications. The different finishes and optional painted finishes make the system blend in with almost every type of surface.



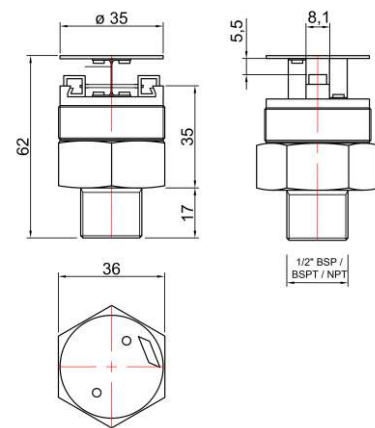
Approvals

The FIREKILL™ OH-VSO nozzle has been successfully tested and approved to the FM5560 standard for FM HC1 occupancies. This means that the system can be used in most Light Hazards defined in NFPA13 and 750, and Ordinary Hazard 1 defined in EN 14972.

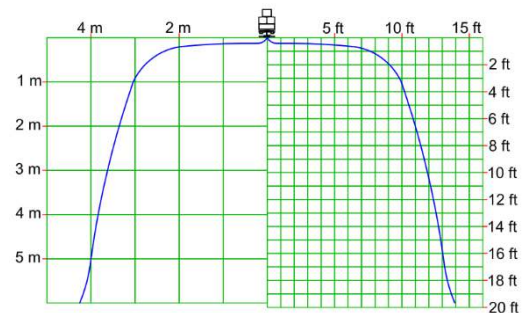
Technical data

General Description	
Minimum water pressure	8 bar
Maximum working pressure	16 bar
K-factor (metric)	16.7 (l/min@1 bar)
FM approved nominal release temp.	57°C
Other nominal release temperatures	68°C, 79°C, 93°C
Time Response Index (metric)	RTI < 50 Fast Response Class
Drop size	DV90 < 300 µm
Application	
Spacing (max)	20.25 m ² (4.5m x 4.5m)
Distance to wall (max)	2.25 m
Room size (max)	Unlimited m ²
Height (max) FM Approved	5 m
EN 14972 with DnV OH1	2 m - 12 m
EN 14972 with DnV OH4	2 m - 12 m
Specific Description	
Weight	0.211 kg
Housing	Brass
Coating	NiSn
Strainer	Stainless Steel
Thread	½" BSP/BSP-T/NPT
Standard Finish	Chrome, White RAL 9010
Other Finish	Other RAL colors
Hydraulic System	
Water density	2.3 mm/m ²
Minimum system operation time	As required by AHJ
Minimum design area	As required by AHJ
Other Products FM approved in the system	
Name	Model
Alarm Check Valve	WAC
OH Rosette	OH-R(2)-T / OH-R(2)-TH
OH Pipe Spanner	OH-S42

Dimension



Spray pattern



* OH4, Auditoriums and similar areas with non-combustible walls

Installations

The OH-VSO nozzles are installed recessed in a ceiling, using the OH-S42 nozzle spanner, as not to damage either nozzle or the surrounding ceiling, with a maximum distance of 4,5 m between the nozzles and a maximum of 2,25 m to any wall.

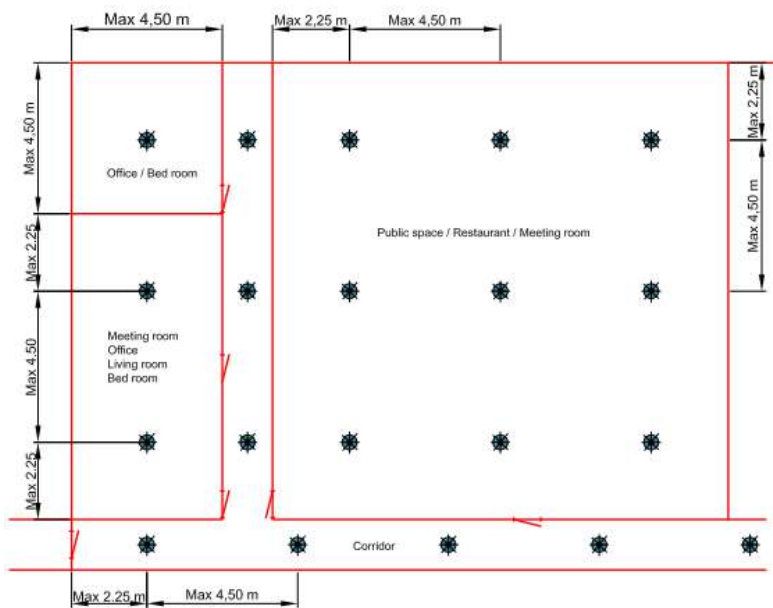
The FIREKILL™ OH-VSO should only be installed in clean, non-corrosive pipe systems, which do not cause galvanic corrosion to the nozzle, the system components and pipe hangers, and with clean rinsed internal surfaces free of impurities. The water quality should be free of chlorides and impurities. After successful installation of the nozzle, the OH-R(2)-T or OH-R(2)-TH rosette is to be screwed on to the nozzle, thus completing the installation process. The nozzle may also be surface mounted into open pipe work. The system should be installed using materials found acceptable by the authorities having jurisdiction.

Caution

The FIREKILL™ OH-VSO is a fragile component, containing a glass release element under pressure. Only VID OH-spanners should be used in the installation of the FIREKILL™ OH-VSO nozzle.

Dropped or otherwise damaged nozzles should not be reinstalled.

Typical lay-out



Contact

For further information on FIRE KILL™ products, please contact our sales department at Sales@vidfirekill.com

VID Fire-Kill APS is not responsible for any errors or omissions, or for the results obtained from the use of this information. All information in this document is provided "as is", with no guarantee of completeness, accuracy, functionality, timeliness or of the results obtained from the use of this information.