

Description

The FIREKILL™ Low Pressure Water mist nozzle OH-SW2 is an automatic, side wall low-pressure water mist nozzle ideal for such as fire protection of open public spaces and other similar locations with smooth ceilings and walls. The different finishes and optional painted finishes makes the system blend in with almost every type of surface.



Approvals

The FIREKILL™ OH-SW2 has been tested in accordance with VdS Fire test protocol for Sidewall Sprinkler systems, Protection of Office Spaces and Accommodation Areas with Watermist Sidewall Sprinklers and CEN prEN 14972:2019 Part 1 Appendix A and witnessed by third party notified body according to EN ISO 17065.

The FIREKILL™ OH-SW2 can therefore be used for securing Offices, Public areas of low fire load, hotel rooms, rooms in hospitals, care homes, schools, flats, accommodation areas as well as any other comparable risk.

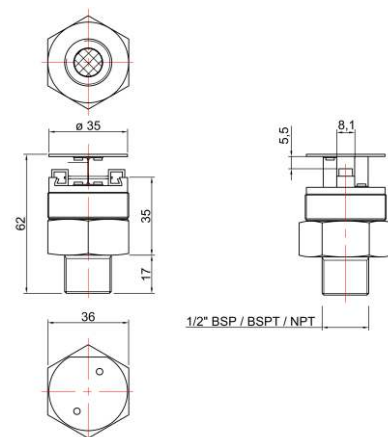
Technical data

General Description	
Minimum water pressure	8 bar
Maximum working pressure	16 bar
K-factor (metric)	25,5 (l/min@1 bar)
Nominal release temperatures	57°C ,68°C, 79°C, 93°C, 141°C
Time Response Index (metric)	RTI < 50 Fast Response Class
Drop size	DV90 < 300 µm
Application	
Coverage each nozzle ^{NOTE 2}	36.00 m ² (6,0m x 6,0m)
Distance to wall (max)	3,00 m
Room size (max) ^{NOTE 1}	120 m ²
Height (min - max)	2,0 - 5,0m
Distance below ceiling	100 mm to 300 mm
Specific Description	
Weight	0.211 kg
Housing	Brass
Coating	NiSn
Strainer	Stainless Steel
Thread	½" BSP/BSP-T/NPT
Standard Finish	Chrome, White RAL 9010
Other Finish	Other RAL colors
Hydraulic System	
Water density	2.00 mm/m ²
Minimum system operation time	As required by AHJ
Minimum design area	As required by AHJ

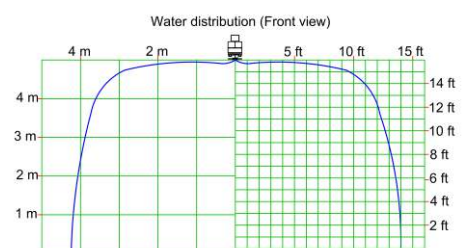
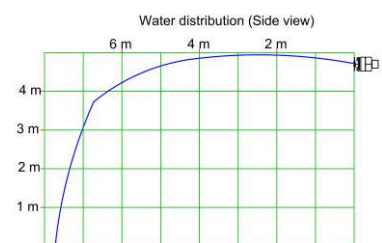
NOTE 1:
The room size may be extended above the 120 m² as the fire test was carried out controlling the O₂ concentration proving that the suppression was due to cooling and wetting and not oxygen depletion. The nozzle spacing can however not be extended.

NOTE 2:
For VdS insured buildings the spacing has to be multiplied with 0.85.

Dimension



Spray pattern



Other products to be installed in the system	
Name	Model
Alarm Check Valve	WAC
OH Rosette	OH-R(2)-T / OH-R(2)-TH
OH Pipe Spanner	OH-S42

Installations

The OH-SW2 nozzles are installed recessed in the wall, using the OH-S42 nozzle spanner, as not to damage either nozzle or the surrounding ceiling.

The FIREKILL™ OH-SW2 should only be installed in clean, non-corrosive pipe systems, which do not cause galvanic corrosion to the nozzle, the system components and pipe hangers, and with clean rinsed internal surfaces free of impurities. The water quality should be free of chlorides and impurities. After successful installation of the nozzle, the OH-R(2)-T or OH-R(2)TH rosette is to be screwed on to the nozzle, thus completing the installation process. The nozzle may also be surface mounted into open pipe work. The system should be installed using materials found acceptable by the authorities having jurisdiction.

Nozzle Position

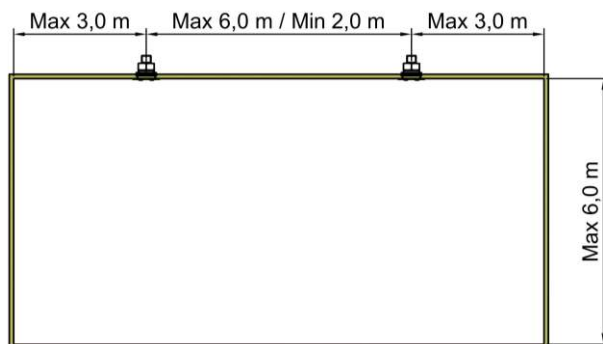
The nozzles are to be installed in the horizontal position, making them lie perpendicular to the surface of the wall. The FIREKILL™ OH-SW2 is to be orientated with the flat of its cover plate facing up, making it parallel with the surface of the ceiling.

Caution

The FIREKILL™ OH-SW2 is a fragile component, containing a glass release element under pressure. Only VID OH-spanners should be used in the installation of the FIREKILL™ OH-SW2 nozzle.

Dropped or otherwise damaged nozzles should not be reinstalled.

Typical lay-out



Contact

For further information on FIREKILL™ products, please contact our sales department at Sales@vidfirekill.com

VID Fire-Kill APS is not responsible for any errors or omissions, or for the results obtained from the use of this information. All information in this document is provided "as is", with no guarantee of completeness, accuracy, functionality, timeliness or of the results obtained from the use of this information.